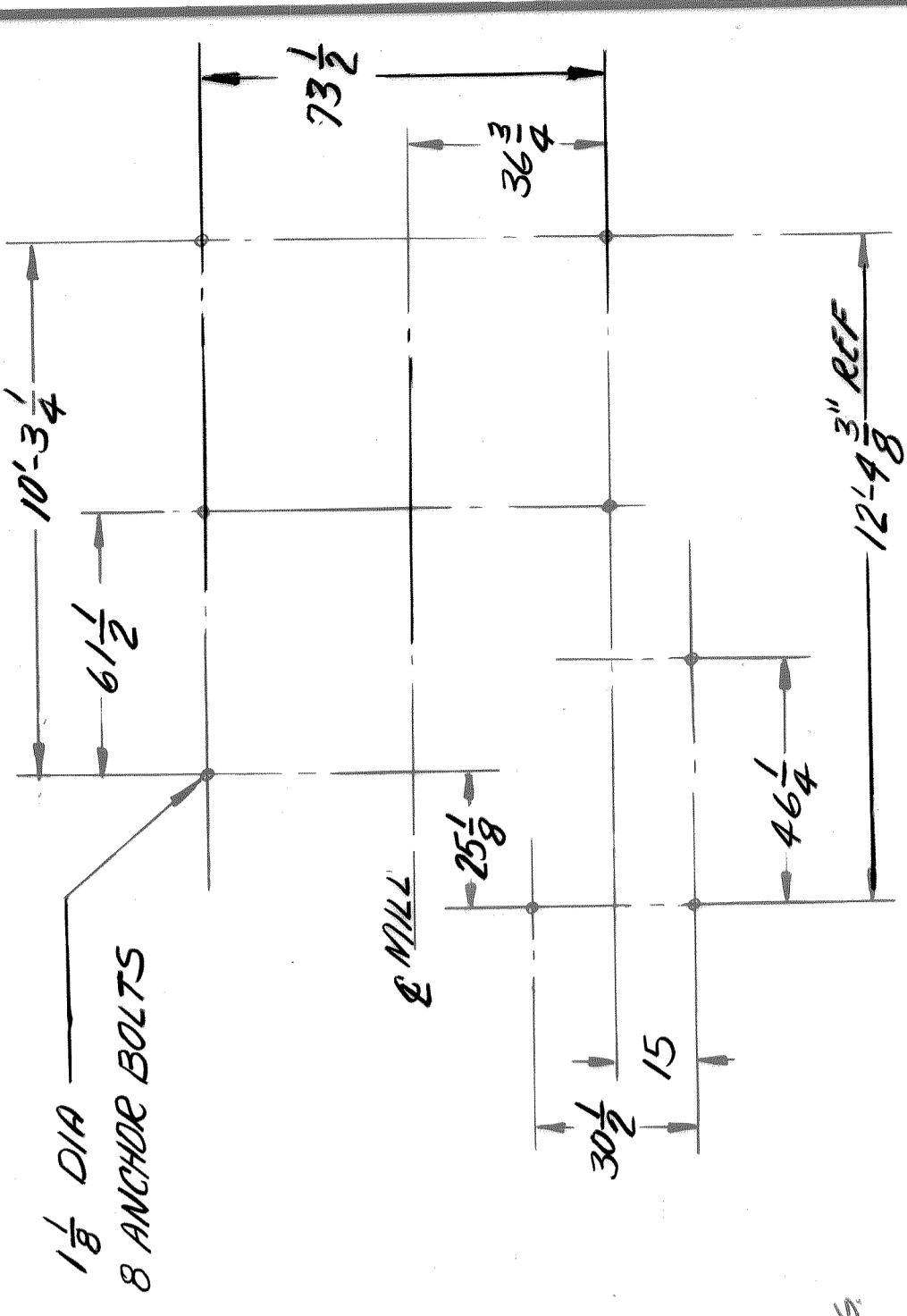
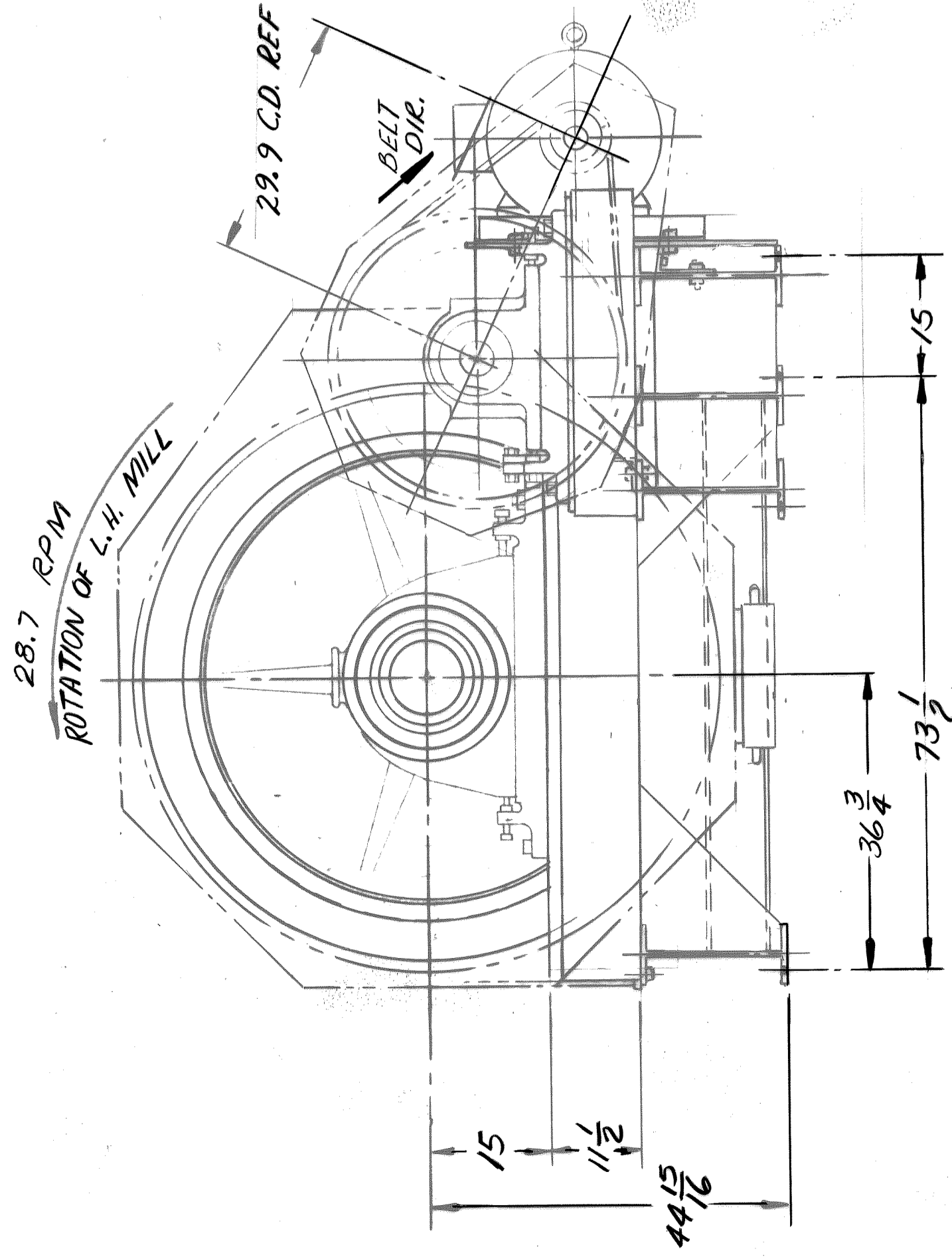


CLEARANCES REQ'D FOR FITTING DISCH. LINER & MANHOLE

NOTES:

1. HAND OF MILL IS DETERMINED BY FACING THE DISCHARGE END. LEFT HAND MILL ROTATES COUNTERCLOCKWISE AND PINION SHAFT IS ON THE RIGHT SIDE. MILL SUPPLIED AS SHOWN.
2. MILL IS FURNISHED WITH THE FOLLOWING:
 - A. INTEGRALLY CAST STEEL HEADS & TRUNNIONS.
 - B. RIGID RABBITTED TYPE TRUNNION BEARINGS.
 - C. ROLLED STEEL SHELL WITH ONE MANHOLE.
 - D. CHARACTERISITIC SHELL AND HEAD LINERS.
 - E. SCODIP FEEDER.
 - F. 18" x 24" TRONIMEL SCREEN W/ 3/16" OPNGS.
 - G. FULL 360° GEAR & BELT GUARDS.
 - H. STRUCTURAL STEEL SUB BASE.

3. DRIVE DATA:
 - MOTOR: 50 HP, 900 RPM, 3 PH, 60 HZ, 460 V, TEFC, FR 404T, 1.155.F
 - CL. F INSUL, ASSEMBLY F-1, HI-STARTING TORQUE, NEMA C.
 - MOTOR SHAFT: 2.25 O.D., 8 GROOVE, 5U SECTION, 2ID HUB
 - DRIVEN SHAFT: 37.5 O.D., 8 GROOVE, 5V SECTION, 2D HUB
 - V-BELT: 5V1400, 29.9 C.D., (4.09:1)
 - GEAR RATIO: 7.41:1
 - MILL RPM: 28.7 (75% OF CRITICAL SPEED 38.3)
 - MILL RPM: 28.7 (75% OF CRITICAL SPEED 38.3)
 - BALL CHARGE: 12, 670 LBS @ 45% CAPACITY (NOT INCLUDED)



ANCHOR BOLT PLAN

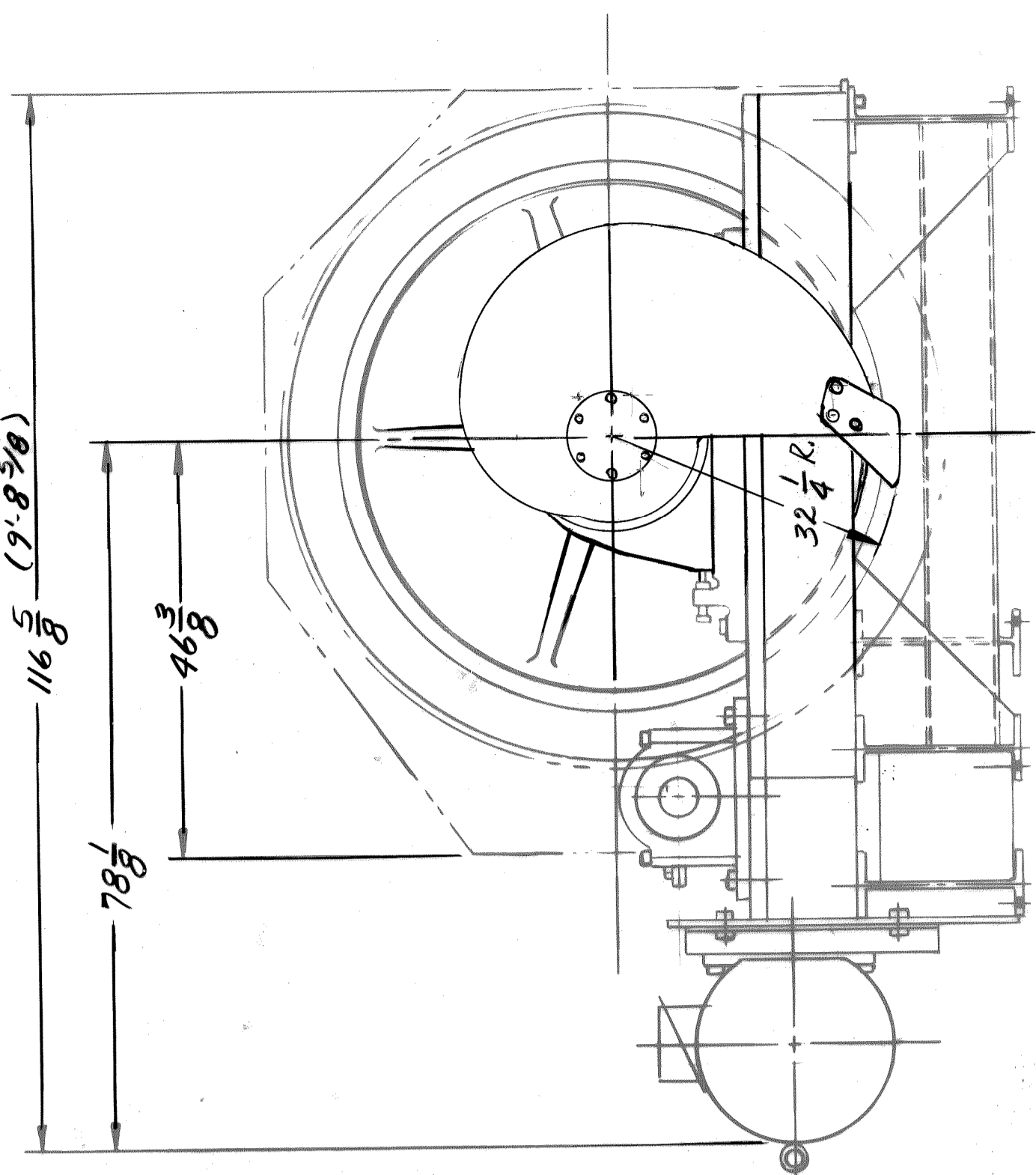
CERTIFIED PRINT.

DIMENSIONALLY CORRECT FOR THIS ORDER ONLY.
 This Certified Print Automatically Releases This Order To Production. Any Further Changes Will Result In Delay Of Shipment And Added Cost To The Buyer.

DENVER ORDER 05-191616-002-1
 CUSTOMER ORDER MP-84-1000
 BY 22/00 DATE 5/16/64

JOY INDUSTRIAL EQUIPMENT CO
 DENVER EQUIPMENT DIVISION
 1000 W. 10TH ST.
 COLORADO SPRINGS, CO. 80901

116 5/8 (9'-8 3/8")



THIS PRINT AND ALL INFORMATION HEREON IS THE PROPERTY OF JOY MANUFACTURING COMPANY AND MUST NOT BE MADE PUBLIC, COPIED OR USED IN ANY WAY DETRIMENTAL TO OUR INTERESTS. IT IS LOANED SUBJECT TO RETURN ON DEMAND, UNLESS FURNISHED UNDER CONTRACT PRO. VISIONS.	
CODE	A-3622
ASSEMBLY PART NO.	48 DIA x 96 LG
SCALE	3/4" = 1'-0"
DWN	Joe Deitgen
DATE	4-25-64
CHKD	HA-L
APPROV	D. R. Olson
OFFICE AND PLANTS THROUGHOUT THE WORLD	
DENVER EQUIPMENT DIVISION	
COLORADO SPRINGS, COLORADO U.S.A.	
23X191616002 PC	
SHEET 1 OF 2	

GENERAL ARRANGEMENT
 48 DIA x 96 LG
 STD FEED & DISCH TRUNNIONS
 RIGID-RABBITTED B&S

MILL, BALL - L.H.